

Heating the future

Solutions for climate change



Commercial & Industrial Heating Products



		Power (kW)											Working pressure (bar)										
		20	30	40	50	60	70	90	100	200	400	500		800	1000	1500	2000	3000	5000	6500	10000		
HEATING BOILERS	Heating and hot water boilers	Premix gas boilers	Light commercial High efficiency with optional regulation	Athena						50/67													
			Condensing modulating	VARINO							80/300												
				VARINO GRANDE									350/600										
		Atmospheric gas boilers	High efficiency	OPTIMAGAS							86/465												
			Condensing	CONDENSAGAS							87/465												
		Pressure jet boilers, oil or gas fired	Reverse flame	FBG											150/2500								
			Three pass	LRP											60/530								
				ST*																430/10000			
				D*																	465/8560		
			Condensing economisers	Simple or double stage condensing economisers	TOTALECO																95/6470		
		Simple or double stage turbo economisers		TOTALECO TURBO																	400/1430		
		DOMESTIC HOT WATER	Gas fired storage water heaters	Chimney flue	SANIGAZ						18/60												
				Horizontal turbo flue extractor	SANIGAZ TURBO						18/60												
			Calorifiers*																				
HYDROPLUS High recovery coil system + ACI protection	GSA/GSM									150/500													
Water storage cylinders*			RS																	500/3000			

* See separate leaflet



Condensing economisers

Totaleco

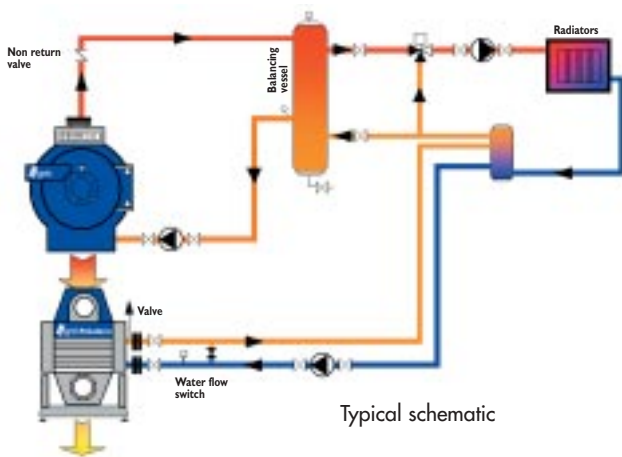
Low cost option for significantly improving the efficiency of boiler plant. 12 models from boiler output 95 kW to 6470 kW

Condensing exchanger guaranteed for 10 years

Guarantee 3 years

Supplied with

- High insulated jacket assembly
- Two exchanger access doors
- Flanges and counter-flanges with seals and bolts
- Leveling feet
- Cleaning brush
- Working service pressure 4 bar (test pressure 6 bar) and 6 bar for domestic hot water (test pressure 9 bar)

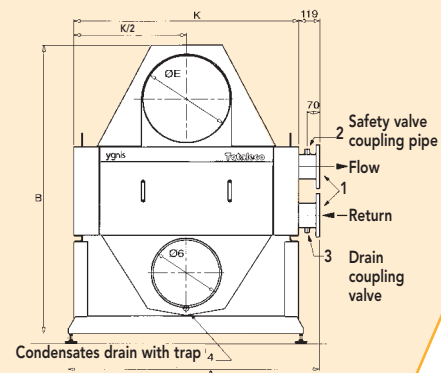
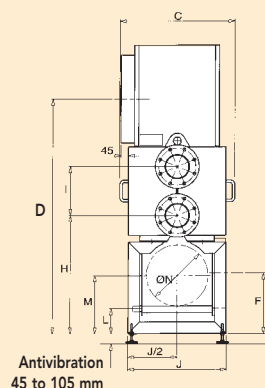


Options

- Adapter for flue connection between boilers listed in this catalogue and TOTALECO (if the two units are delivered simultaneously)
- Higher working pressures 5, 6 and 8 bar
- Additional heat exchanger for two pass application
- Special adaptation for swimming pool and/or domestic hot water
- Side flue outlet
- Off-loading

1 to 14 - single pass models

- **STAINLESS STEEL 316 L** exchanger
- Can be fitted to existing boiler installation
- Smooth tubes without fins
- Efficiency performance gains 6% to 18% depending on water return temperature



Characteristics

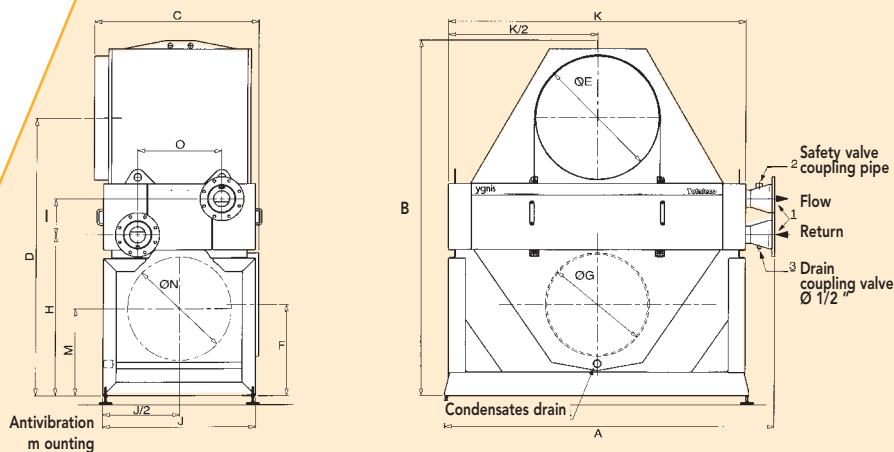
MODELS	Output in kW	Single-Pass gas circuit resistance	Double-Pass gas circuit resistance	First Pass water circuit resistance		Second Pass water circuit resistance	
		mbar	mbar	Flow rate in l/sec	mbar	Flow rate in l/sec	mbar
1 or 1 dual	130	0.3	0.4	1.80	25	0.94	300
2 or 2 dual	200	0.3	0.4	2.78	50	0.94	300
3 or 3 dual	300	0.3	0.4	5.17	100	0.94	300
4 or 4 dual	465	1.7	2.1	5.56	75	0.94	300
7 or 7 dual	710	1.7	2.1	8.33	140	0.94	300
10 or 10 dual	1080	1.7	2.4	12.56	160	1.89	300
14 or 14 dual	1430	1.7	2.4	14.44	170	3.78	170
18 or 18 dual	1870	1.7	2.4	16.39	175	3.78	250
24 or 24 dual	2440	1.7	2.5	18.33	180	3.78	230
32 or 32 dual	3230	1.8	2.5	21.94	182	3.78	280
42 or 42 dual	4260	1.8	2.5	25.83	187	3.78	360
56 or 56 dual	5630	1.8	2.6	33.33	187	3.78	470

MODELS	Boiler output in kW		Weight when empty Single pass type	Weight when empty Dual pass type	Water volume First pass	Water volume Second pass
	Min.	Max.	kg	kg	litre	litre
1 or 1 dual	95	170	135	175	22	4
2 or 2 dual	150	260	160	205	27	6
3 or 3 dual	230	400	190	243	34	8.5
4 or 4 dual	350	620	205	250	40	6
7 or 7 dual	540	940	250	304	51	9
10 or 10 dual	815	1430	335	455	86	28
14 or 14 dual	1240	1630	396	535	107	36
18 or 18 dual	1630	2150	510	680	130	46
24 or 24 dual	2150	2800	660	870	163	60
32 or 32 dual	2800	3700	825	1100	227	78
42 or 42 dual	3700	4900	1015	1350	290	103
56 or 56 dual	4900	6470	1250	1675	375	135

Sizes (in mm)

MODELS	A	B	C	D	Flue inlet dia. Ø E	F	Flue outlet dia. Ø G	H	I	K	M	Ø N	O	Safety valve coupling pipe dia. 2	First pass Flow/Return 1
1	770	995	538	840	200	215	200	413	224	621	203	180	-	1/2"	DN 65
2	965	1080	538	900	250	250	200	448	224	816	228	200	-	1/2"	DN 65
3	1245	1175	538	970	300	270	250	493	224	1096	259	200	-	1/2"	DN 65
4	989	1400	538	1170	350	300	300	567	306	840	292	250	-	1/2"	DN 100
7	1310	1505	538	1250	400	330	350	622	306	1161	340	250	-	1/2"	DN 100
10	1427	1650	650	1345	500	350	400	680	280	1278	343	350	-	1/2"	DN 125
14	1577	1650	706	1345	500	350	400	680	280	1428	337	350	-	1/2"	DN 125
18	1795	1790	712	1460	550	415	450	784	252	1602	382	400	205	1"	DN 150
24	2080	2140	820	1695	650	535	550	945	279	1824	506	500	340	1"	DN 200
32	2290	2370	931	1875	750	615	650	1075	279	2034	553	600	374	1"	DN 200
42	2500	2570	1043	2025	850	690	700	1175	279	2244	611	700	424	1 1/4"	DN 200
56	2530	2740	1267	2145	950	705	800	1245	279	2274	682	800	648	1 1/4"	DN 200

18 to 56 - single pass models



Presence in Europe



- 1 - YGNIS head office
- 2 - Production of panel heaters
- 3 - Production of water heaters
- 4 - YGNIS Factory
- 5 - Production of panel heaters and water heaters
- 6 - ATLANTIC air-conditioning and ventilation
- 7 - YGNIS boiler factory
- 8 - Production of water heaters
- 9 - THERMOR/SPAIN
- 10 - YGNIS/SWITZERLAND
- 11 - YGNIS SPAIN
- 12 - YGNIS BELGIUM
- 13 - YGNIS ITALY
- 14 - YGNIS GERMANY
- 15 - ATLANTIC POLAND
- 16 - YGNIS U.K.

Efficient customer support

- Before sales advice
- Installation support in the boiler room
- After sales service with service engineers
- Spare parts strategically stocked



GUILLOT - YGNIS HEATING LTD
2 FITZHAMMON COURT
FEATHERSTONE ROAD
WOLVERTON MILL
MILTON KEYNES
MK12 6LB - UK
TEL. : 01 908 227 720
FAX : 01 908 227 716

GUILLOT - YGNIS INTERNATIONAL DIVISION
58 AVENUE GÉNÉRAL LECLERC
92340 BOURG-LA-REINE - FRANCE
TEL. : +33 (0)1 46 83 60 00
FAX : +33 (0)1 46 83 60 01
WEB-SITE: www.ygnis.com
WEB-SITE: www.guillot.tm.fr